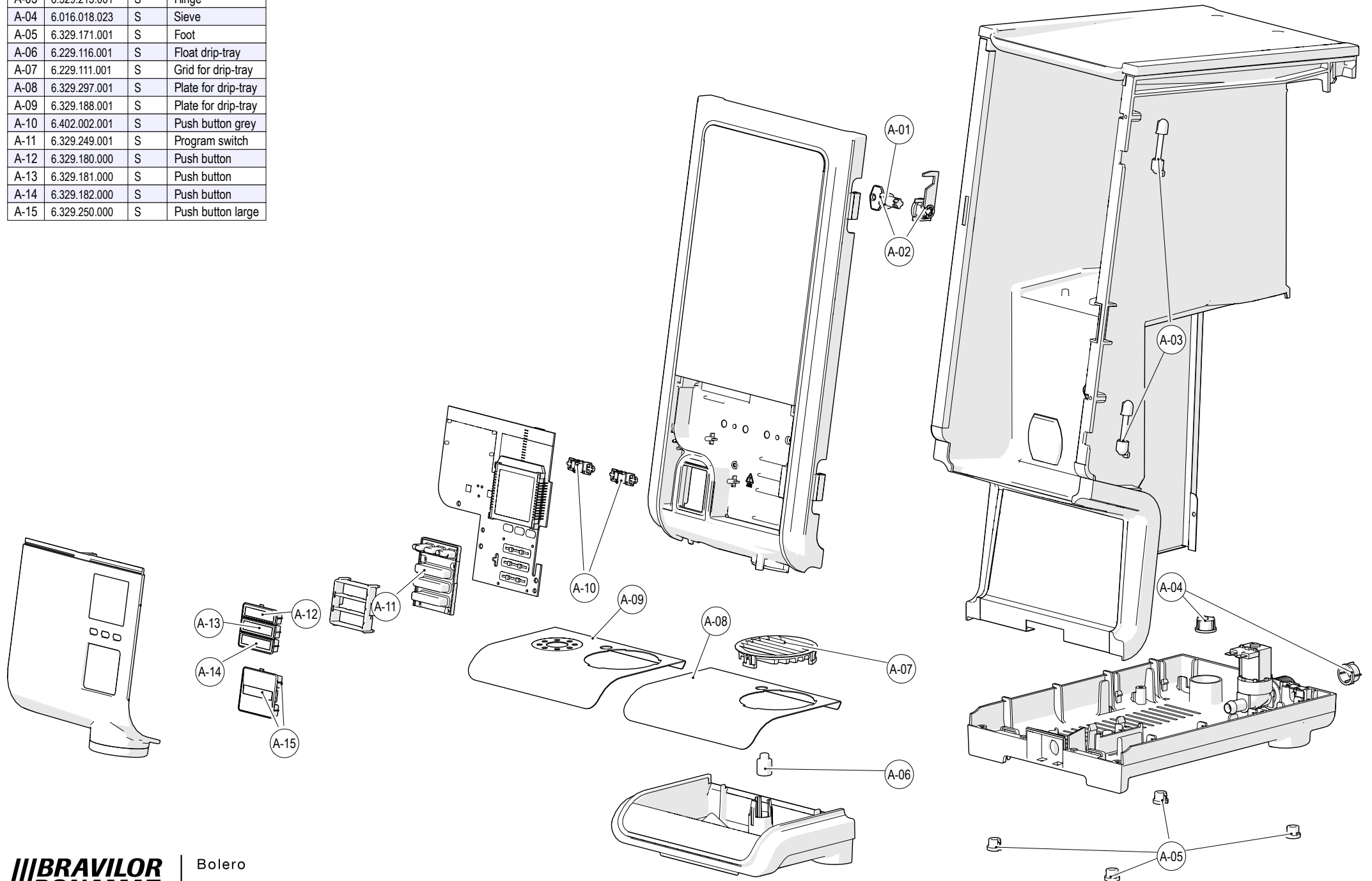
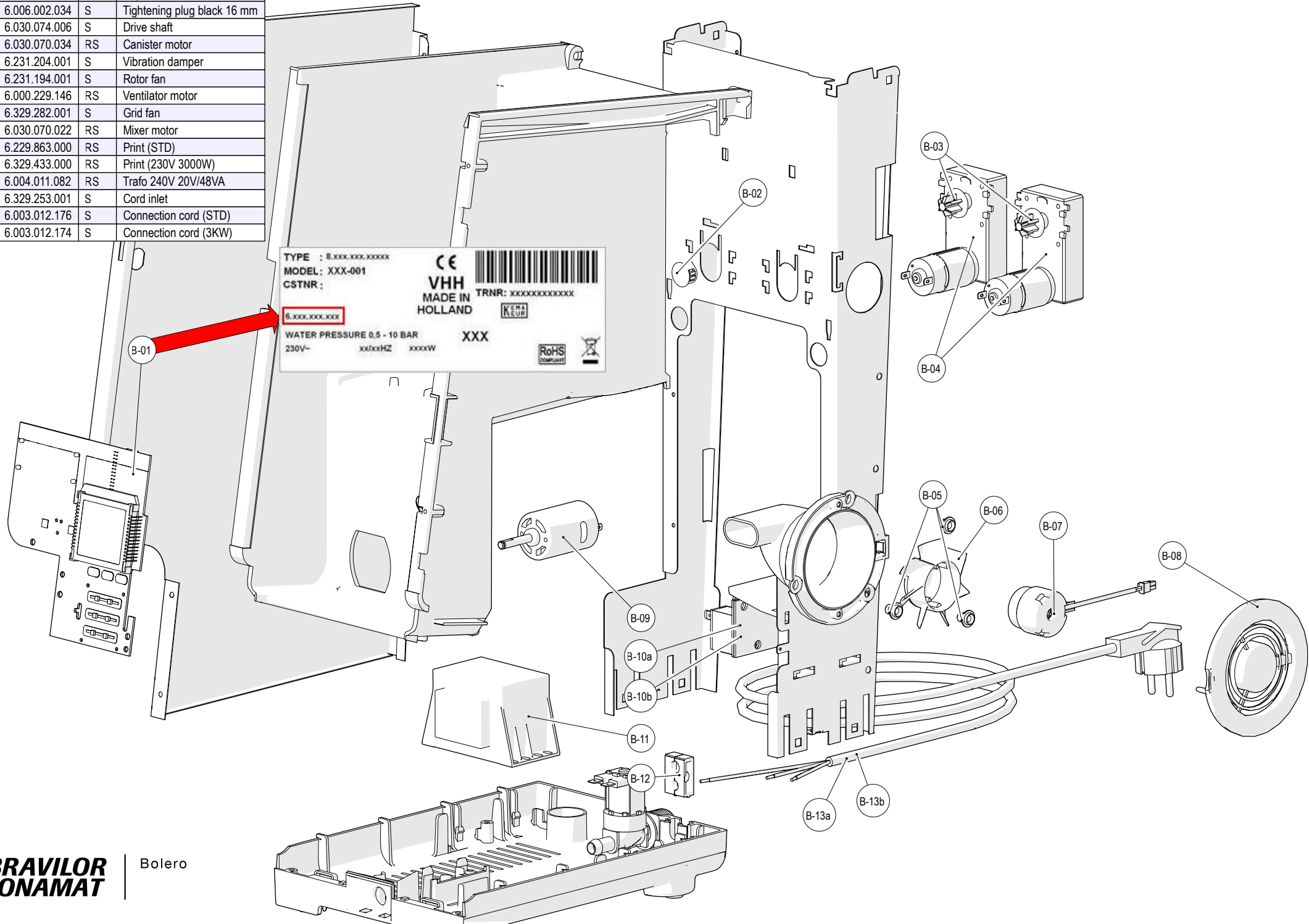


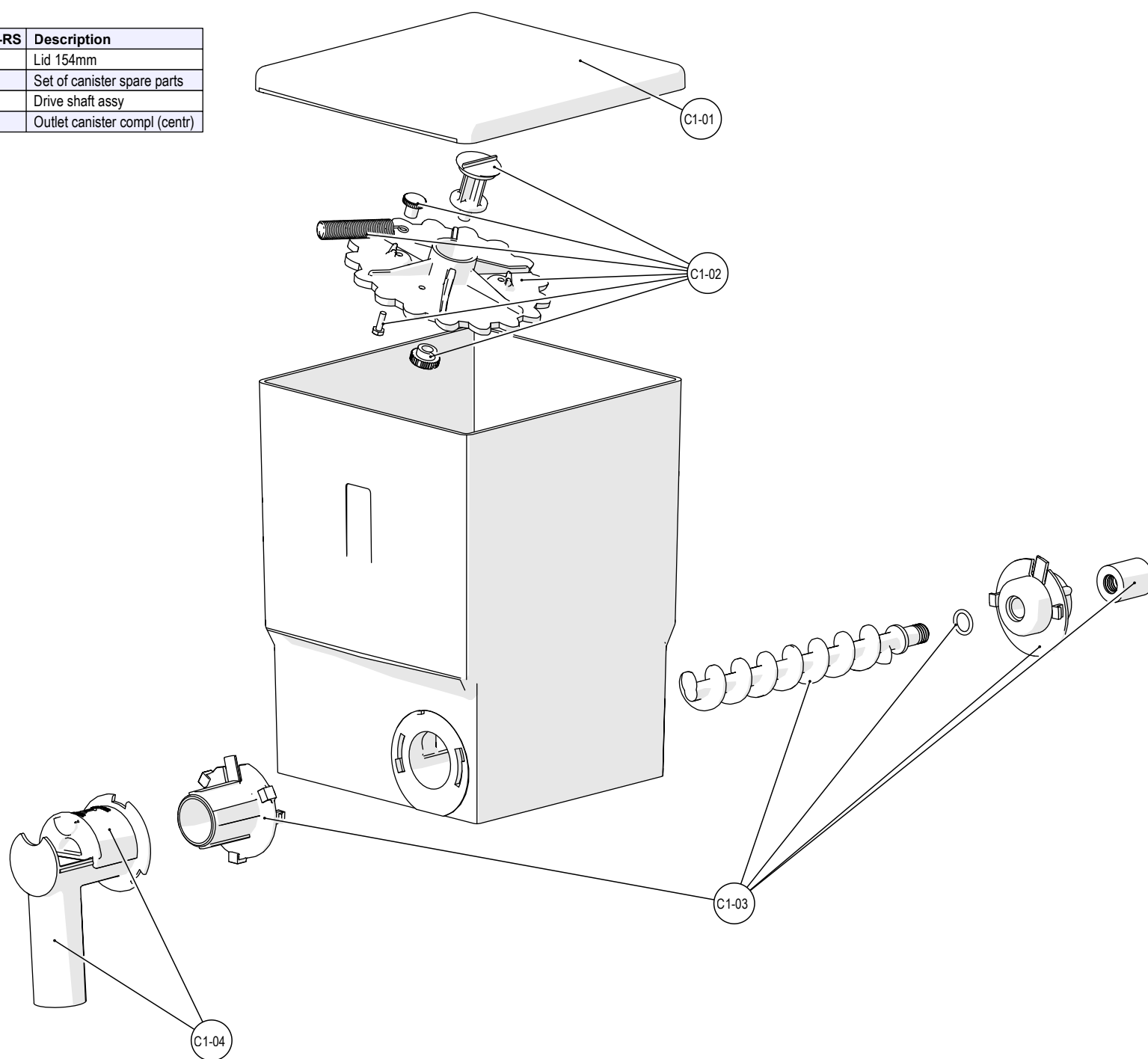
ID	Service parts	S-RS	Description
A-01	6.014.012.017	S	Key
A-02	6.014.004.064	S	Lock incl. key
A-03	6.329.213.001	S	Hinge
A-04	6.016.018.023	S	Sieve
A-05	6.329.171.001	S	Foot
A-06	6.229.116.001	S	Float drip-tray
A-07	6.229.111.001	S	Grid for drip-tray
A-08	6.329.297.001	S	Plate for drip-tray
A-09	6.329.188.001	S	Plate for drip-tray
A-10	6.402.002.001	S	Push button grey
A-11	6.329.249.001	S	Program switch
A-12	6.329.180.000	S	Push button
A-13	6.329.181.000	S	Push button
A-14	6.329.182.000	S	Push button
A-15	6.329.250.000	S	Push button large



ID	Service parts	S-RS	Description
B-01	6.xxx.xxx.xxx	RS	Keyboard + software
B-02	6.006.002.034	S	Tightening plug black 16 mm
B-03	6.030.074.006	S	Drive shaft shaft</td
B-04	6.030.070.034	RS	Canister motor
B-05	6.231.204.001	S	Vibration damper
B-06	6.231.194.001	S	Rotor fan
B-07	6.000.229.146	RS	Ventilator motor
B-08	6.329.282.001	S	Grid fan
B-09	6.030.070.022	RS	Mixer motor
B-10a	6.229.863.000	RS	Print (STD)
B-10b	6.329.433.000	RS	Print (230V 3000W)
B-11	6.004.011.082	RS	Trafo 240V 20V/48VA
B-12	6.329.253.001	S	Cord inlet
B-13a	6.003.012.176	S	Connection cord (STD)
B-13b	6.003.012.174	S	Connection cord (3KW)

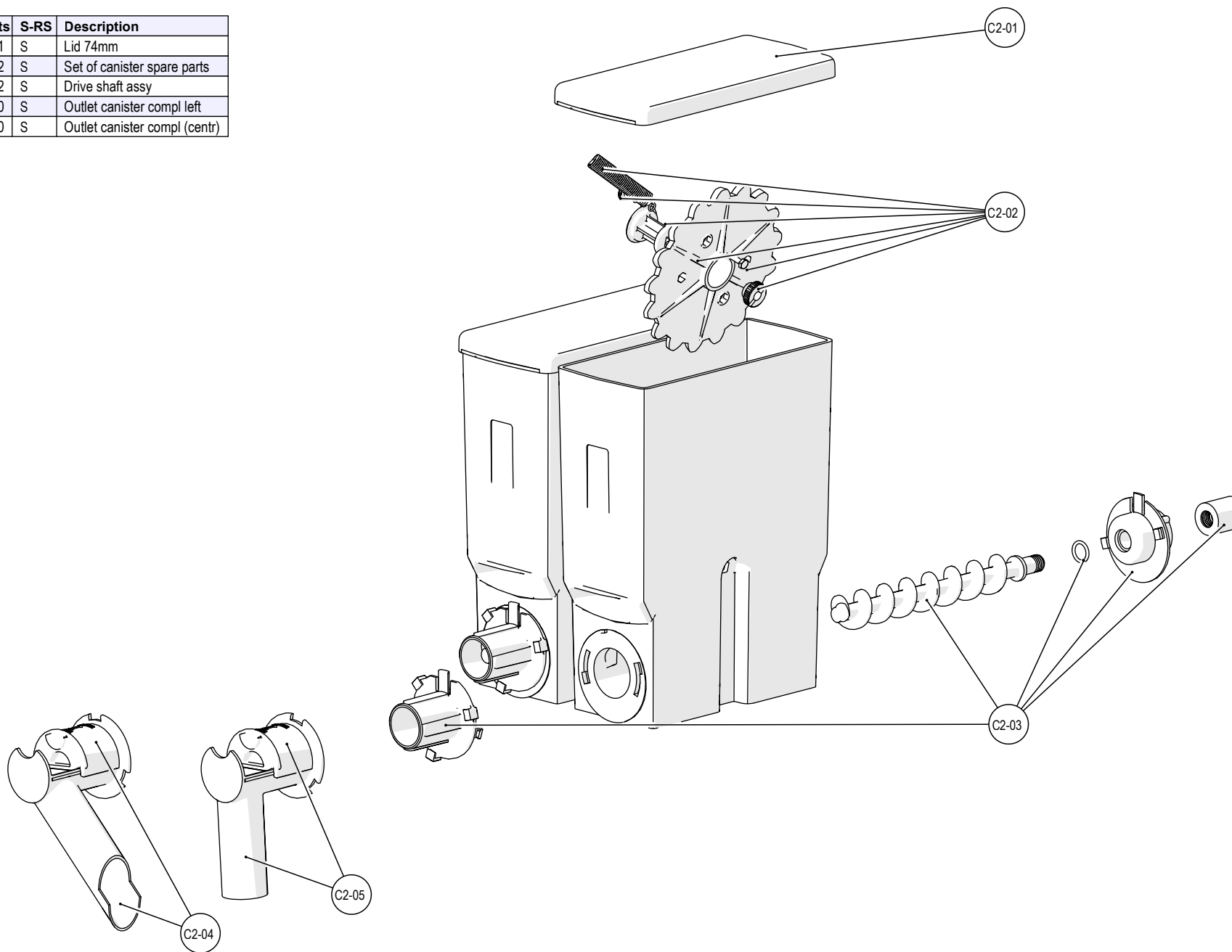


ID	Service parts	S-RS	Description
C1-01	6.229.275.001	S	Lid 154mm
C1-02	6.000.229.102	S	Set of canister spare parts
C1-03	6.000.229.122	S	Drive shaft assy
C1-04	6.229.931.000	S	Outlet canister compl (centr)

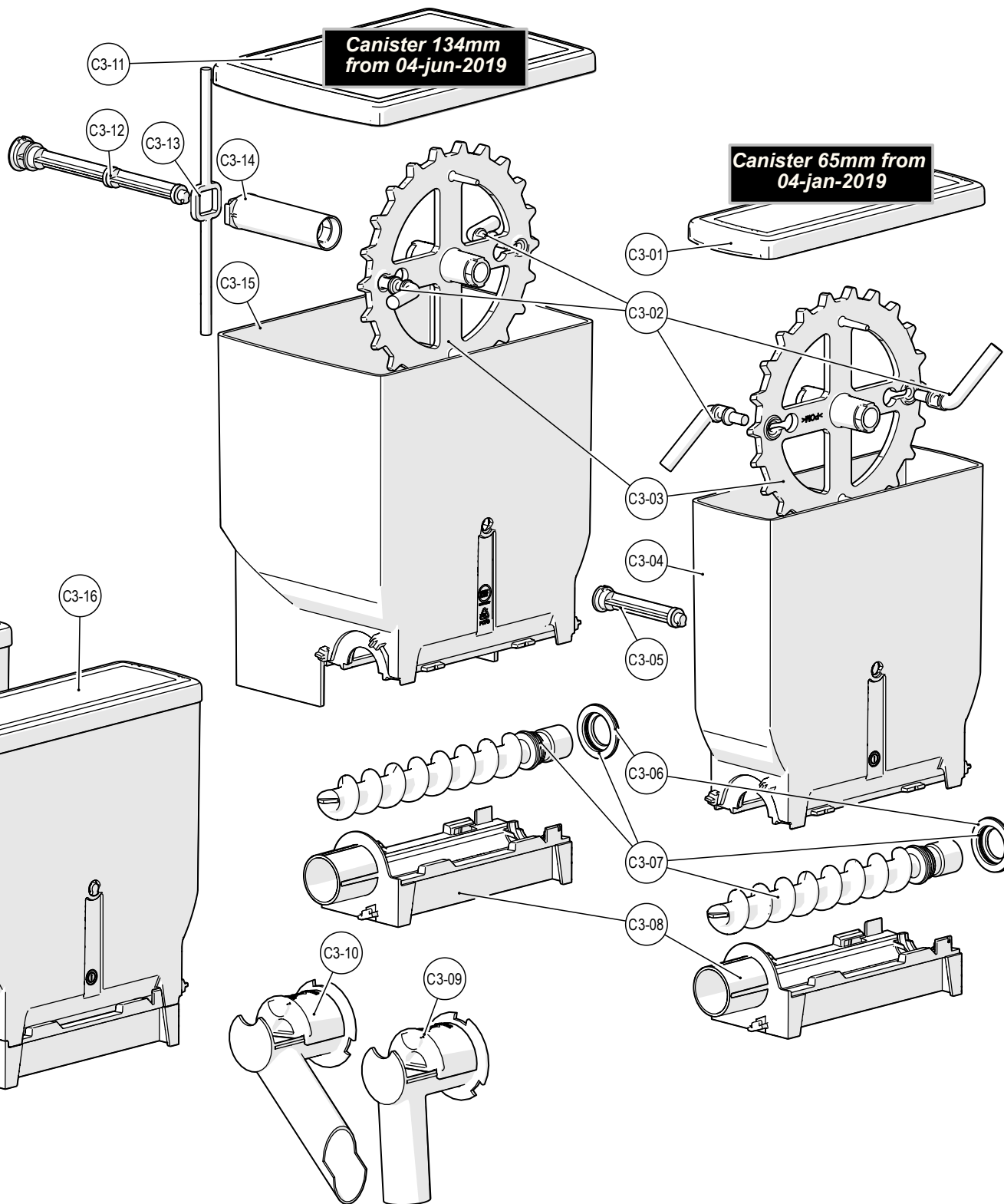


ID	Service parts	S-RS	Description
C2-01	6.229.328.001	S	Lid 74mm
C2-02	6.000.229.102	S	Set of canister spare parts
C2-03	6.000.229.122	S	Drive shaft assy
C2-04	6.229.932.000	S	Outlet canister compl left
C2-05	6.229.931.000	S	Outlet canister compl (centr)

Canister 65mm till
04-jan-2019

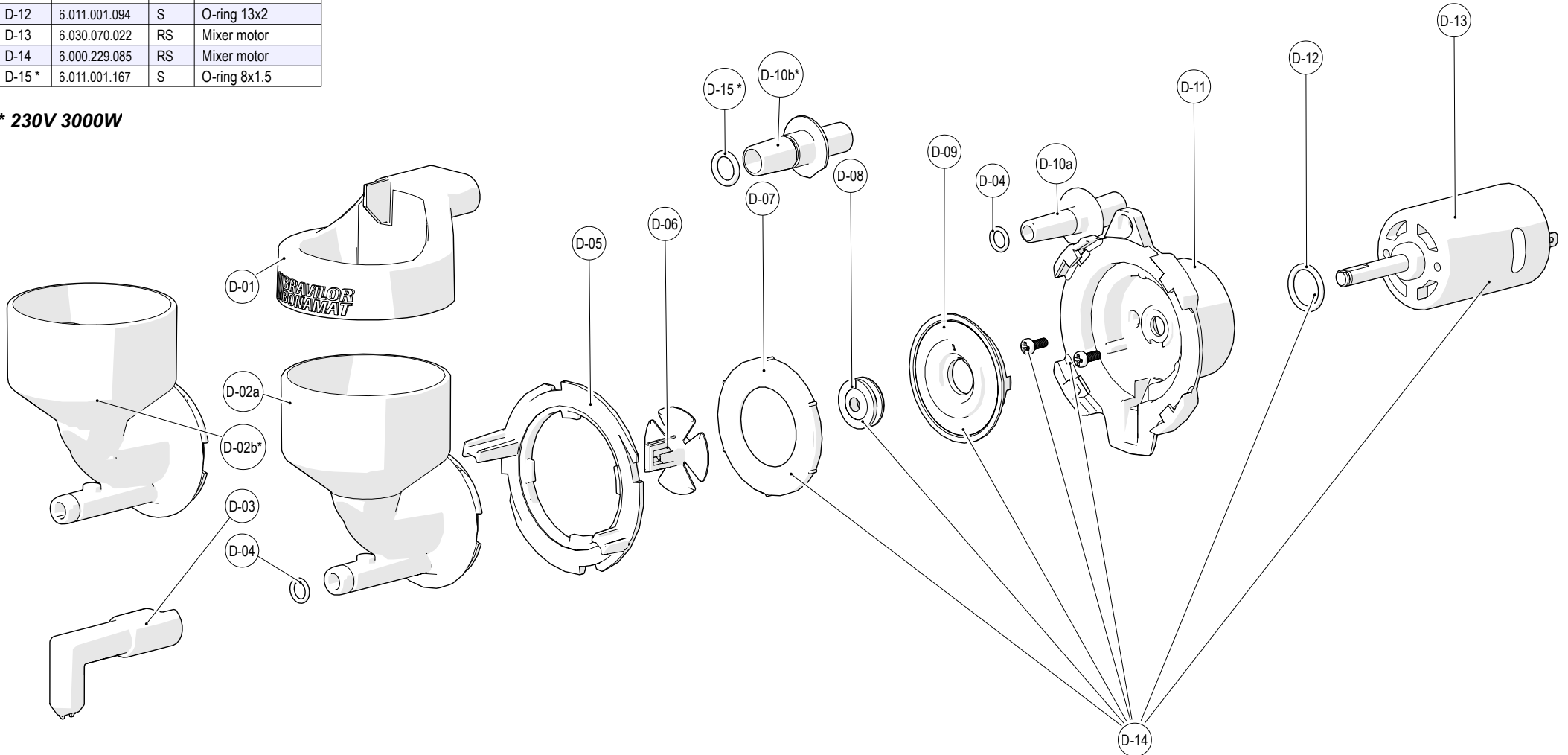


ID	Service parts	S-RS	Description
C3-01	6.329.480.000	S	Lid 65mm
C3-02	6.329.478.001	S	Wiper
C3-03	6.329.477.001	S	Drive shaft
C3-04	6.329.476.001	S	Canister casing
C3-05	6.329.486.001	S	Axle
C3-06	6.329.479.001	S	Seal
C3-07	6.000.229.219	S	Worm (assy)
C3-08	6.329.474.001	S	Canister bottom
C3-09	6.229.931.000	S	Outlet canister central
C3-10	6.229.932.000	S	Outlet canister left
C3-11	6.229.274.001	S	Lid 134mm
C3-12	6.329.502.001	S	Axle
C3-13	6.329.503.001	S	Wiper
C3-14	6.329.543.001	S	Adapter pice wiper
C3-15	6.329.500.001	S	Canister casing
C3-16	6.000.229.183	S	Canister 65 mm (assy)
C3-17	6.000.229.197	S	Canister 134 mm (assy)

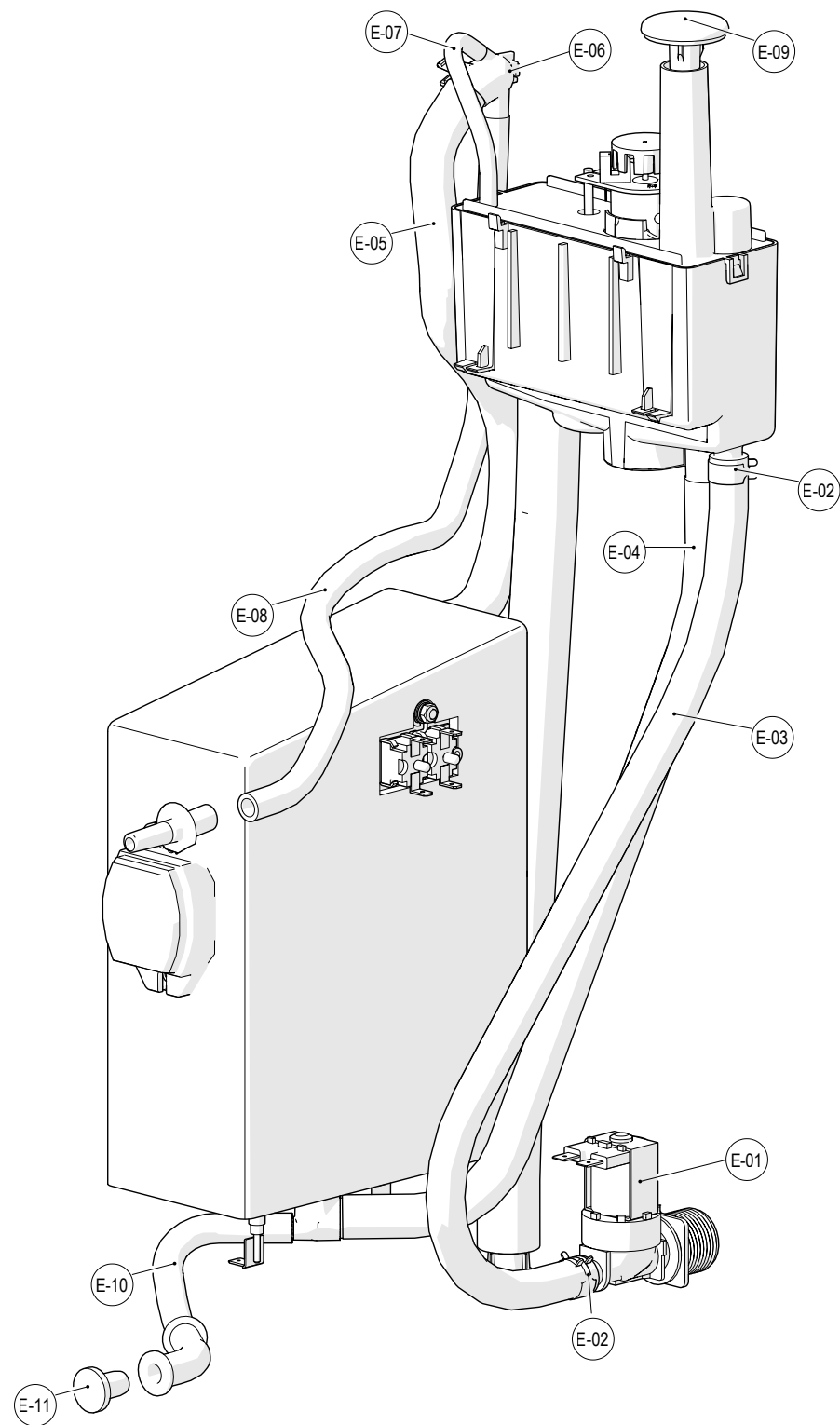


ID	Service parts	S-RS	Description
D-01	6.229.808.001	S	Condense reservoir
D-02a	6.229.805.001	S	Mixing chamber
D-02b*	6.329.058.001	S	Mixing chamber
D-03	6.329.295.001	S	Outlet
D-04	6.011.001.073	S	O-ring 6x1.5
D-05	6.229.809.001	S	Fastening ring
D-06	6.229.803.001	S	Whipper disk
D-07	6.229.806.001	S	Rubber seal mixer
D-08	6.030.071.020	S	Rubber seal mixer
D-09	6.229.807.001	S	Holder rubber seal
D-10a	6.229.580.001	S	Water inlet 6mm
D-10b*	6.329.059.001	S	Water inlet 8mm
D-11	6.229.810.001	S	Plate mixer moter
D-12	6.011.001.094	S	O-ring 13x2
D-13	6.030.070.022	RS	Mixer motor
D-14	6.000.229.085	RS	Mixer motor
D-15 *	6.011.001.167	S	O-ring 8x1.5

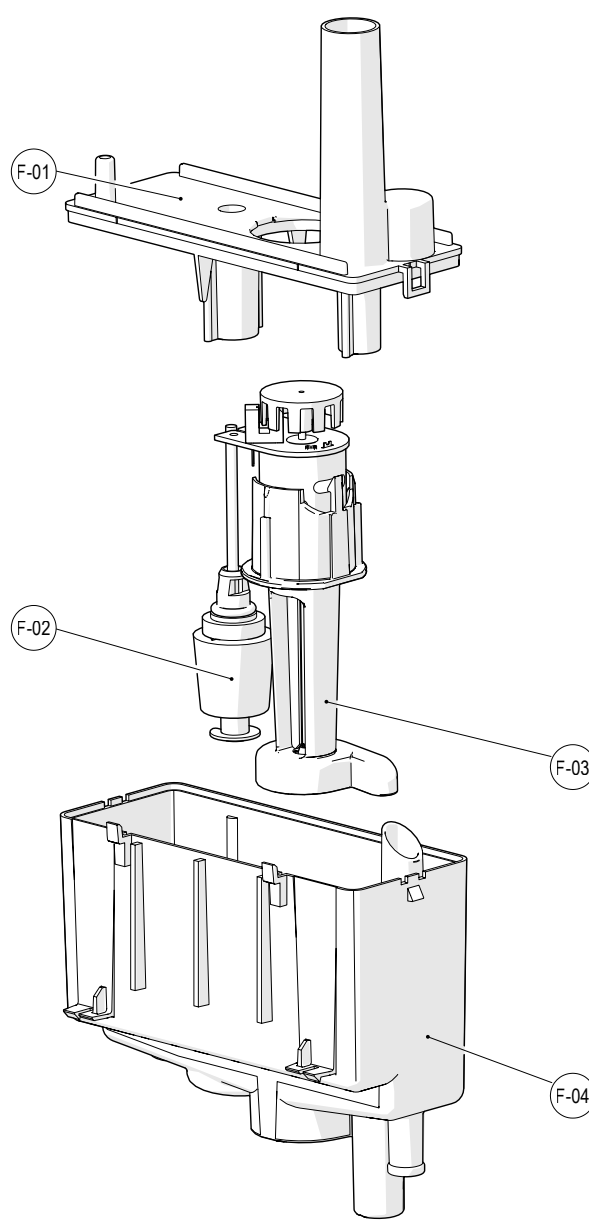
* 230V 3000W



ID	Service parts	S-RS	Description	mm
E-01	6.016.001.096	S	Magnetic valve 2 l/min.	
E-02	6.001.079.003	S	Tube clamp 12.1 mm	
E-03	6.019.033.014	S	Silicone tube 15,5 x 9,5	400
E-04	6.019.033.013	S	Silicone tube 17,5 x 11,5	390
E-05	6.019.033.013	S	Silicone tube 17,5 x 11,5	260
E-06	6.229.428.001	S	De-aeration pipe	
E-07	6.019.033.009	S	Silicone tube 7 x 4	100
E-08	6.019.033.004	S	Silicone tube 7,5 x 2	400
E-09	6.402.010.001	S	Descaler cover	
E-10	6.229.032.001	S	Evacuation hose	125
E-11	6.006.002.018	S	Tightening plug 10.5 mm	



ID	Service parts	S-RS	Description
F-01	6.229.334.001	S	Lid pumpfloat tank
F-02	6.229.891.001	S	Float tank
F-03	6.000.229.198	RS	Motor float tank (assy)
F-04	6.229.335.001	S	Pumpfloat tank



ID	Service parts	S-RS	Description
G-01a	6.000.229.133	RS	Flow boiler 230V 2100W
G-01b	6.000.229.134	RS	Flow boiler 230V 3000W
G-02	6.016.008.084	RS	High temp safety switch
G-03	6.229.890.001	RS	Temperature sensor
G-04	6.231.191.001	S	Ring
G-05	6.231.132.001	S	Supply boiler
G-06	6.329.262.001	S	Tightening plug
G-07	6.329.194.001	S	Tap housing
G-08	6.015.001.213	RS	Rubber cup
G-09	6.015.001.215	RS	Compression spring for tap
G-10	6.329.197.001	S	Leverrod tap
G-11	6.329.195.001	S	Cover tap housing
G-12	6.329.196.001	S	Tap handle
G-13	6.000.229.164	S	No-drip tap (assy)

